

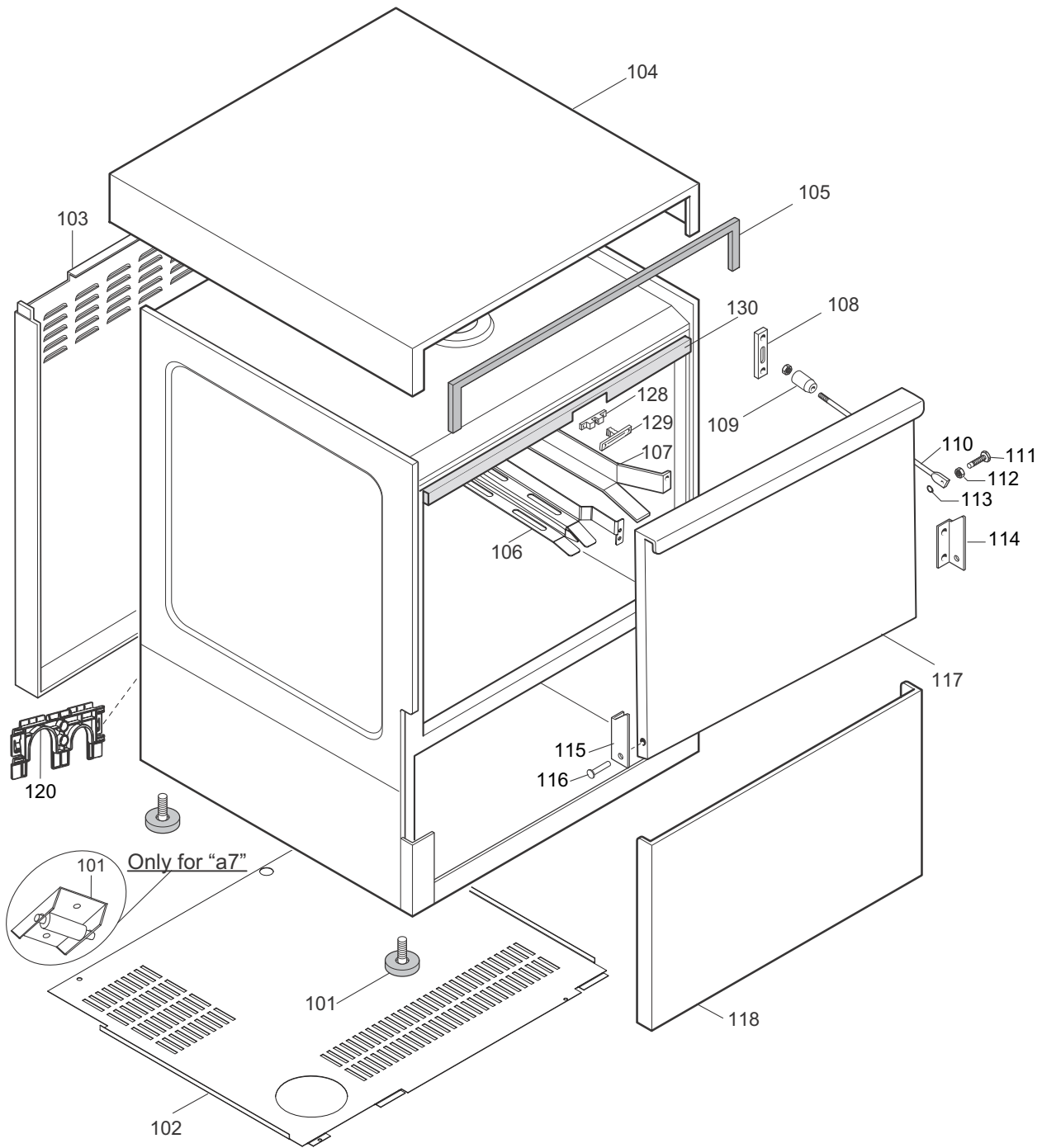
**LAVASTOVIGLIE SOTTOTAVOLO
UNDERCOUNTER DISHWASHER****NUC/ EUC/ KUC/ NUCA/ ZUCA/ FUCA/ EUCA**

Code	Type	Ref.	Pagina/ Page	Code	Type	Ref.	Pagina/ Page
PRESSIONE				ATMOSFERICA			
400041	NUC3DD	o	2 3 4 6	400116	FUCA3DD	v	2 3 5 6
400055	EUC1	a	2 3 4 6	400137	EUCA1DP	a5	2 3 5 6
400056	EUC1DP	c	2 3 4 6	400151	ZUCA1	s	2 3 5 6
400059	EUC3	b	2 3 4 6	400152	ZUCA3	t	2 3 5 6
400061	EUC3DP	d	2 3 4 6	698005	NUCA1DDG	z	2 3 5 6
400063	EUC1G	w	2 3 4 6	400066	ZUCADDROW	a1	2 3 5 6
400064	EUC1DP60	i	2 3 4 6	400067	ZUCADDROW60	a2	2 3 5 6
400065	EUC3DD	e	2 3 4 6	400153	EUCADDROW	a3	2 3 5 6
400127	KUC3	m	2 3 4 6	400154	EUCADDROW60	a4	2 3 5 6
400128	KUC3DP	n	2 3 4 6				
400138	NUC1GMS	a6	2 3 4 6				
400139	EUC3DPCAG	a7	2 3 4 6				
400140	NUC1	f	2 3 4 6				
400141	NUC1DP	g	2 3 4 6				
400144	NUC3	h	2 3 4 6				
400146	NUC3DP	k	2 3 4 6				
400149	NUC3DP60	q	2 3 4 6				
400150	NUC1DPA	r	2 3 4 6				
690028	NUC1G	x	2 3 4 6				

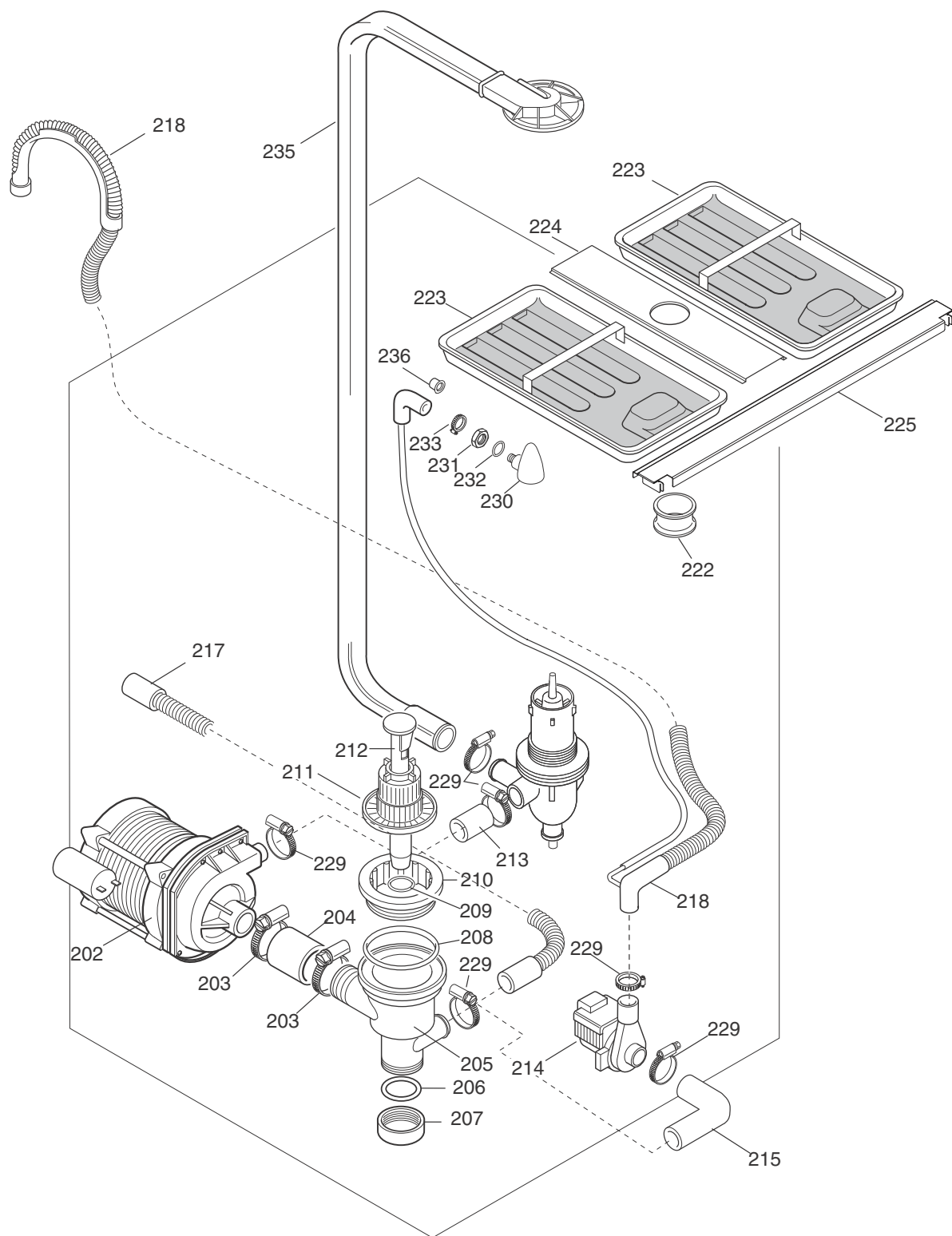
Pagina/ Page**Indice/ index**

2	Vista generale / Main view
3	Componenti idraulici / Hydraulic components
4	Circuito idraulico a pressione / Pressurized plumbing circuit
5	Circuito idraulico atmosferico / Atmospheric plumbing circuit
6	Componenti elettrici / Electrical components
7 - 12	Lista ricambi / Spare parts list

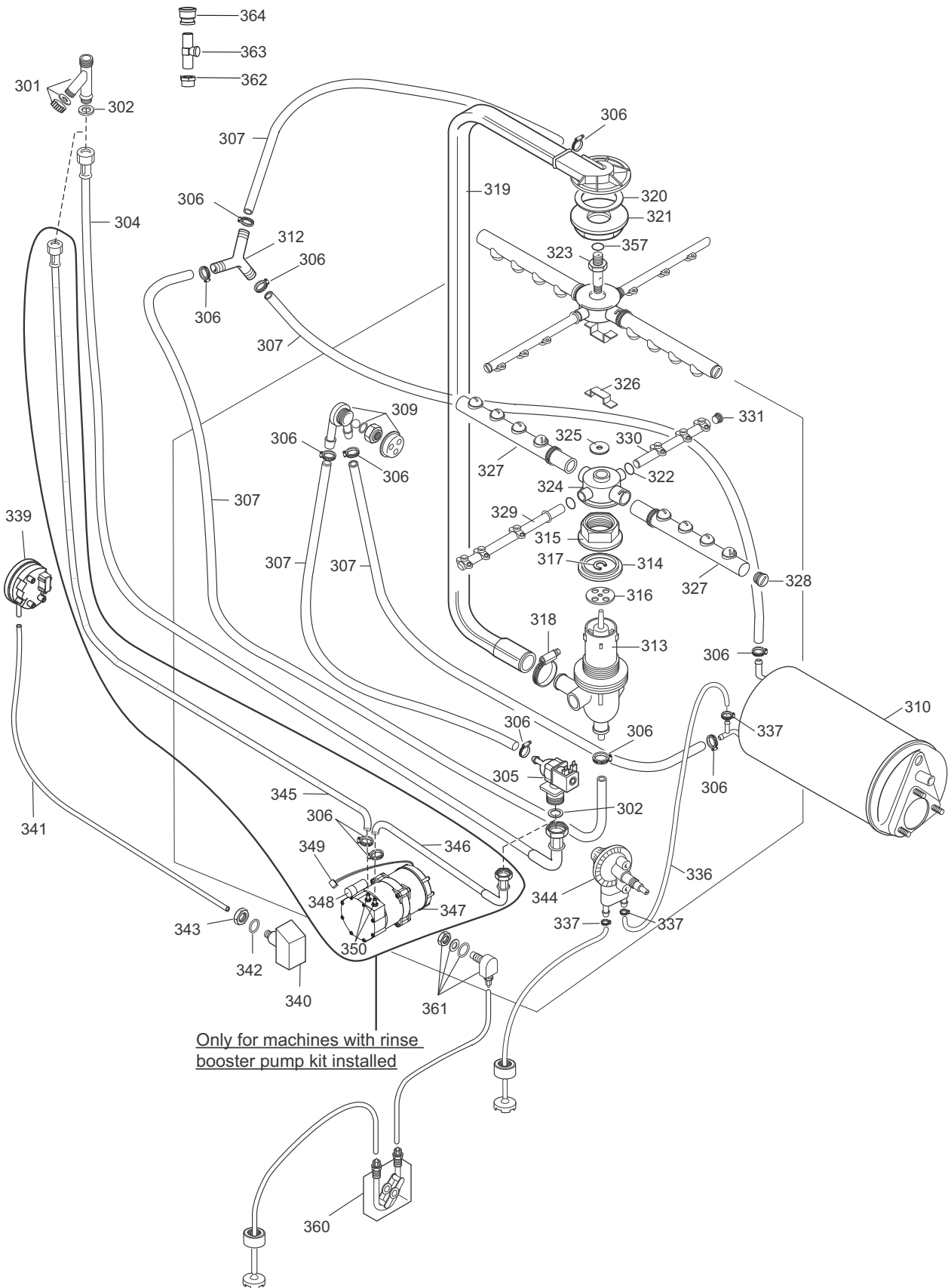
Marchio/ Brand: Z - A - E
Paese/ Country: Tutti/ All



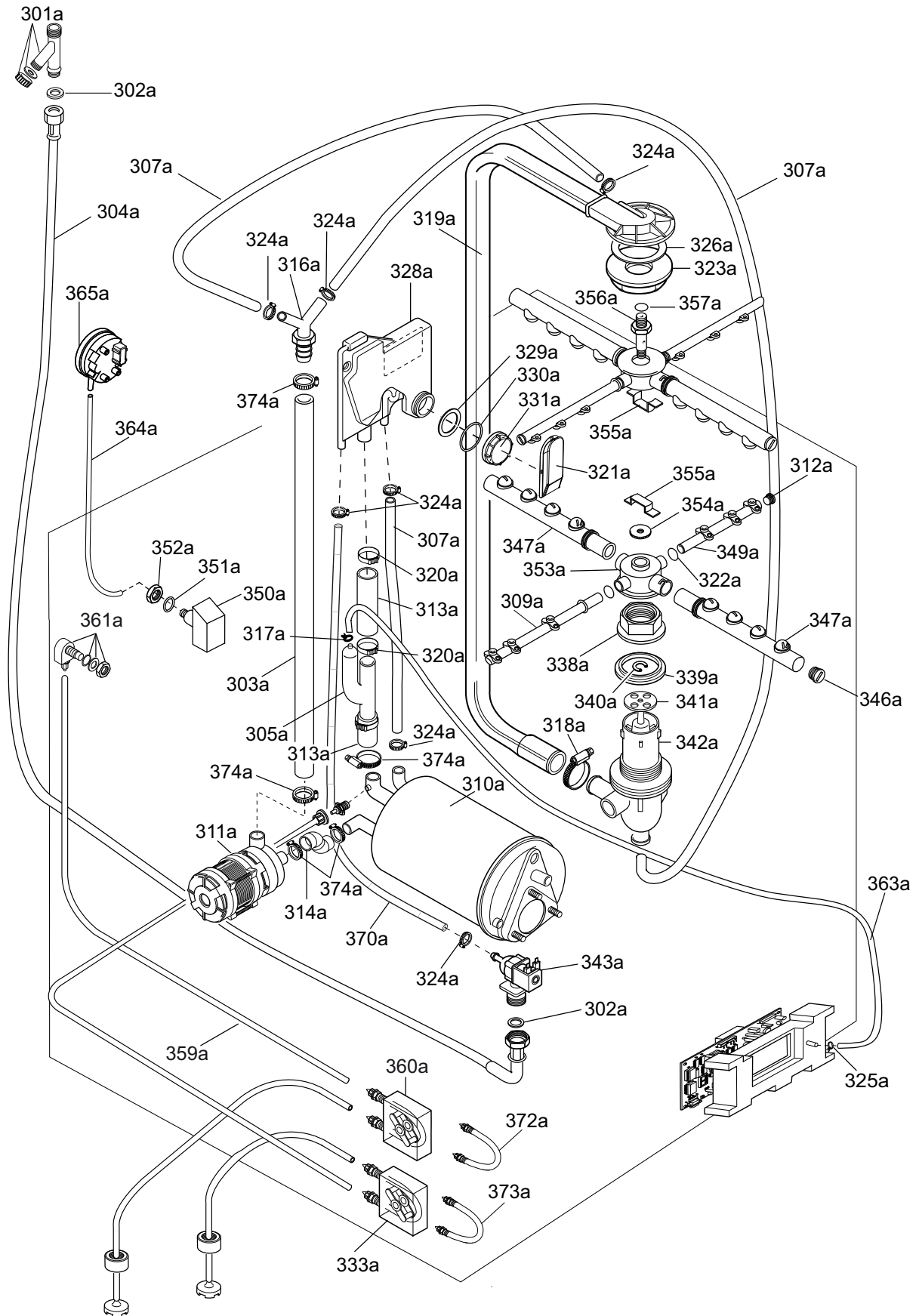
ill. 595665K00_p2
 Vista generale / Main view



ill. 595665K00_p3
 Componenti idraulici / Hydraulic components



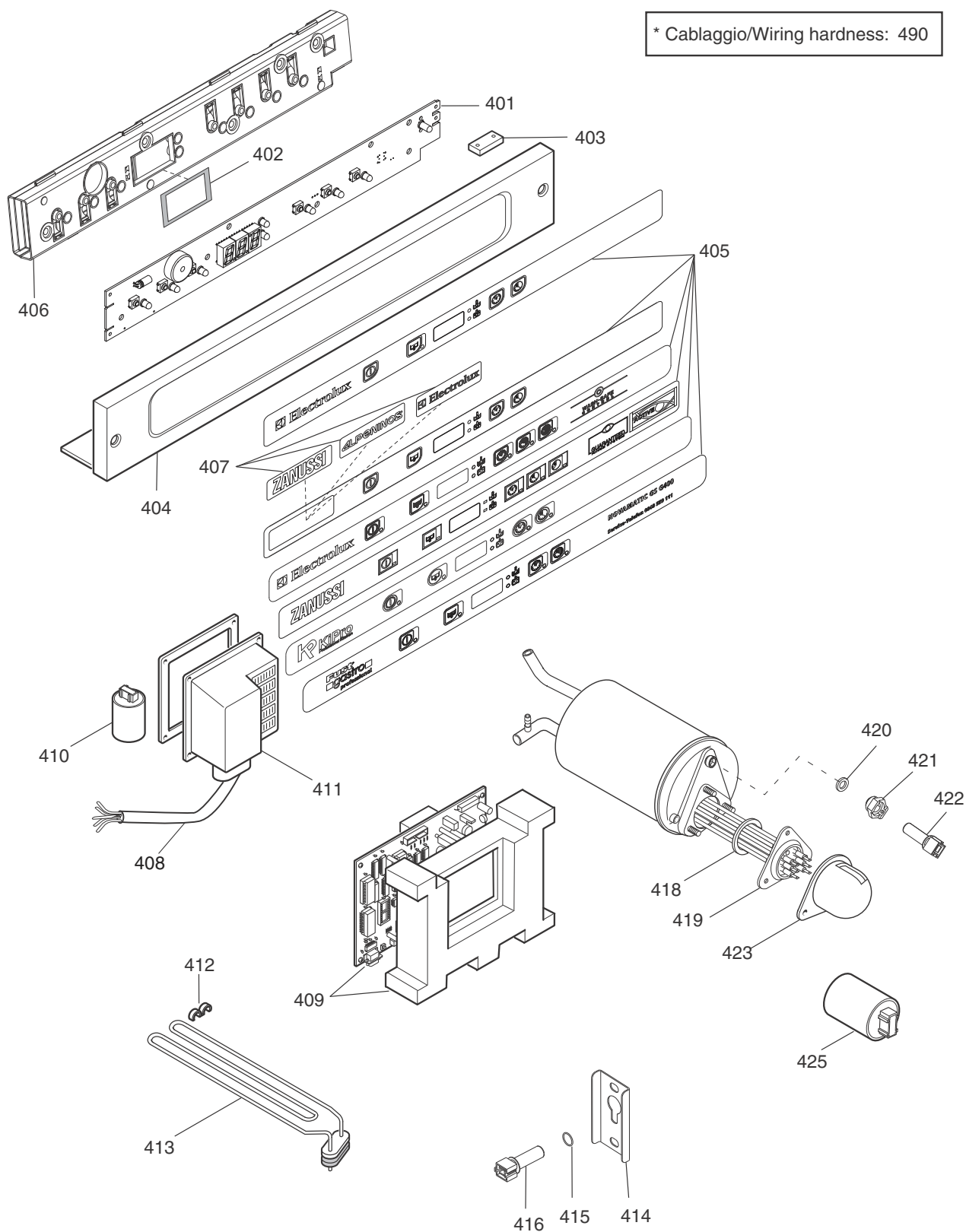
III. 595665K00_p4A
 Circuito idraulico a pressione / Pressurized plumbing circuit



III. 595665K00_p4B

Circuito idraulico atmosferico / Atmospheric plumbing circuit

* Cablaggio/Wiring hardness: 490



ill. 595665K00_p5
Componenti elettrici / Electrical components

Da Ser.Nr./From Ser.nr.: /839...

Page: 6 Ed. 2011-07

Doc. Nr.: 595665K00

LAVASTOVIGLIE SOTTOTAVOLO NUC/ EUC/ KUC/ NUCA/ ZUCA/ FUCA/ EUCA				Grassetto = variazioni
UNDERCOUNTER DISHWASHER NUC/ EUC/ KUC/ NUCA/ ZUCA/ FUCA/ EUCA				Bold Print = changes
Pos.	Cod.ric. Part No.	Descrizione	Description	Note / Notes
		Pagina 2: Vista generale	Page 2: Main view	ill. 595665K00_p2
101	049393	Piedino regolabile	Adjustable foot	
101	0L0118	Piede a rullo	Roller	a7
102	0TT903	Fondo	Bottom panel	Up to Ser. Nr.: 047
102	0L2434	Fondo	Bottom panel	Up to Ser. Nr.: 048
103	0L1888	Schienale	Rear panel	Not for "s,t,v,z,a1,a2,a3,a4,a5" Up to Ser. Nr.: 012
103	0L2070	Schienale	Rear panel	s,t,v,z,a1,a2,a3,a4,a5 Up to Ser. Nr.: 012
103	0L1889	Schienale	Rear panel	Not for "z" - From Ser. Nr.: 013 Up to Ser. Nr.: 029
103	0L2567	Schienale	Rear panel	Not for "z" - From Ser. Nr.: 030
103	0L2433	Schienale	Rear panel	z - From Ser. Nr.: 013
104	0L0122	Coperchio	Top panel	Up to Ser. Nr.: 012
104	0L0257	Coperchio	Top panel	From Ser. Nr.: 013
105	046583	Guarnizione	Gasket	
106	0L2565	Supporto cesto destro	Right basket support	a3,a6 - From Ser. Nr.: 030
106	0L2566	Supporto cesto sinistro	Left basket support	a3,a6 - From Ser. Nr.: 030
107	049272	Supporto cesto destro	Right basket support	Not for "a3,a6" - Up to Ser. Nr.: 012
107	0L2254	Supporto cesto destro	Right basket support	Not for "a3,a6" - From Ser. Nr.: 013
107	049273	Supporto cesto sinistro	Left basket support	Not for "a3,a6" - Up to Ser. Nr.: 012
107	0L2252	Supporto cesto sinistro	Left basket support	Not for "a3,a6" - From Ser. Nr.: 013
108	049285	Placca	Plate	
109	049286	Ammortizzatore	Absorber	
110	049282	Tirante	Tie rod	
111	049283	Perno per tirante	Pin, for tie rod	
112	049372	Dado autobl. basso	Locking nut, flat	
113	049284	Anello seger	C-Clamp	
114	049279	Cerniera destra	Right hinge	Up to Ser. Nr.: 012
114	0L2253	Cerniera destra	Right hinge	From Ser. Nr.: 013
115	049280	Cerniera sinistra	Left hinge	Up to Ser. Nr.: 012
115	0L2251	Cerniera sinistra	Left hinge	From Ser. Nr.: 013
116	049281	Perno cerniera	Hinge pin	Up to Ser. Nr.: 012
116	0L2255	Perno cerniera	Hinge pin	From Ser. Nr.: 013
117	049951	Porta	Door	Up to Ser. Nr.: 920
117	0L2068	Porta	Door	From Ser. Nr.: 921
118	0L1649	Pannello frontale	Front panel	Up to Ser. Nr.: 029
118	0L2568	Pannello frontale	Front panel	From Ser. Nr.: 030
119	047551	Coperchio vaschetta	Container lid	
120	0L0112	Copertura passatubi	Hoses protection	
128	049271	Scrocchetto	Snap catch	
129	049536	Nasello	Door-stop	
130	0L0021	Guarnizione	Gasket	

LAVASTOVIGLIE SOTTOTAVOLO NUC/ EUC/ KUC/ NUCA/ ZUCA/ FUCA/ EUCA UNDERCOUNTER DISHWASHER NUC/ EUC/ KUC/ NUCA/ ZUCA/ FUCA/ EUCA				Grassetto = variazioni Bold Print = changes
Pos.	Cod.ric. Part No.	Descrizione	Description	Note / Notes
		Pagina 3: Componenti idraulici	Page 3: Hydraulic components	ill. 595665K00_p3
202	0L0126	Pompa Lavaggio	Wash pump	Not for "i,q,a2,a4" - 50Hz
202	0L0562	Pompa Lavaggio	Wash pump	i,q,a2,a4 - 60Hz
203	046855	Fascetta 50-070	Hose clamp 50-70	
204	0L0259	Tubo Gomma 37x52	Hose	
205	048325	Coll. Asp. Scarico	Drain manifold	
206	049828	Guarniz. Tappo Ter. Sc.	Gasket	
207	046596	Tappo Terminale Sc.	Plug; for manifold	
208	049894	OR 4*110 Asp Sc.	O Ring	
209	046799	OR Troppo Pieno	O Ring	
210	048326	Ghiera collettore Asp. Sc.	Ring nut; for manifold	
211	048324	Filtro Aspirazioene pompa	Filter; for pump	
212	048323	Troppo pieno	Overflow pipe	a,b,f,h,m,s,t
212	048842	Troppo pieno	Overflow pipe	c,d,e,g,n,o,k,r,i,q,w,x,v,z,a1,a2,a3,a4,a5,a6,a7
213	046257	Tubo 42x52	Hose	
214	0L0994	Pompa scarico	Drain pump	50hz - c,d,e,g,n,o,k,r,w,x,v,z,a1,a3,a5,a6,a7 - Up to Ser. Nr.: 144
214	0L2133	Pompa scarico	Drain pump	50hz - c,d,e,g,n,o,k,r,w,x,v,z,a1,a3,a5,a6,a7 - From Ser. Nr.: 145
214	0L1131	Pompa scarico	Drain pump	60hz - i,q,a2,a4 - Up to Ser. Nr.: 144
214	0L2133	Pompa scarico	Drain pump	60hz - i,q,a2,a4 - From Ser. Nr.: 145
215	049877	Manicotto asp scarico	Coupling; drain	c,d,e,f,g,k,i,n,o,q,r,w,v,xz,a1,a2,a3,a4,a5,a6,a7
217	049856	Tubo Scarico	Drain pipe	a,b,f,h,m,s,t
218	049878	Tubo Scarico	Drain pipe	c,d,e,g,n,o,k,i,q,r,w,x,v,z,a1,a2,a3,a4,a5,a6,a7
222	0L0078	Supporto Filtro	Filter support	z,a1,a2,a3,a4
223	049908	Filtro Vasca	Tank filter	z,a1,a2,a3,a4
224	0L2431	Supporto Centrale filtri	Central support for filters	z,a1,a2,a3,a4
225	0L2430	Supporto Anteriore filtri	Front support for filters	z,a1,a2,a3,a4
229	046878	Fascetta 35-50	Hose clamp 35-50	
230	048853	Nasello per vasca	Spigot; air relief	
231	049268	Dado ES.M14X1,5	Nut; M14x1,5	
232	068642	OR 3062; 2,62X15,54	O Ring	
233	046946	Fasc. Torro. W2 8-12/7,5 IVP	Hose clamp 8-12	
235	0L0125	Tubo Lavaggio	Wash pipe	
236	049849	Tappo ingresso det.	Plug inlet det.	
		Pagina 4: Circuito idraulico a pressione	Page 4: Pressurized plumbing circuit	ill. 595665K00_p4A Not for "s,t,v,z,a1,a2,a3,a4,a5"
301	048834	Assieme filtro	Filter assembly	
302	0L1945	Guarnizione	Gasket	

LAVASTOVIGLIE SOTTOTAVOLO NUC/ EUC/ KUC/ NUCA/ ZUCA/ FUCA/ EUCA UNDERCOUNTER DISHWASHER NUC/ EUC/ KUC/ NUCA/ ZUCA/ FUCA/ EUCA				Grassetto = variazioni Bold Print = changes
Pos.	Cod.ric. Part No.	Descrizione	Description	Note / Notes
304	0L1887	Tubo alimentazione	Supply pipe	
305	048817	Elettrovalvola	Electrovalve	
306	048126	Fascetta 13-20	Hose clamp 13-20	
307	048531	Tubo	Hose	
309	0L1892	Valvola DVGW, compl.	DVGW Valve, compl.	
310	0L1890	Boiler	Boiler	Up to Ser. Nr.: 920
310	0L0352	Boiler	Boiler	From Ser. Nr.: 921
312	048195	Raccordo 3 vie	3 way connection	
313	049290	Supporto getti, inferiore	Jets support, lower	
314	048236	Guarnizione	Gasket	
315	048330	Ghiera, fiss. supporto getti	Ring nut, jets support locking	
316	048820	Parzializzatore	Flow reducer	
317	048979	Anello	O-ring	
318	046878	Fascetta 38-50	Hose clamp 38-50	
319	0L0125	Tubo collegamento getti	Connection pipe for wash jets	
320	0L0110	Guarnizione Supp. Getti Sup.	Gasket	
321	048824	Ghiera	Ring nut	
322	047473	O-Ring 2056- 1,78x14,00	O-Ring	
323	049292	Perno, per supporto getti	Pin, for jets support	
324	049293	Assieme mozzo, per getti	Hub assembly, for jets	
325	047282	Rondella di fermo	Lock washer	
326	049294	Protezione rondella	Washer bracket	
327	049295	Assieme getto di lavaggio	Wash jet assembly	
328	049296	Tappo, per getti lavaggio	Plug, for wash jets	
329	049297	Getto risciacquo, lungo	Rinse jet, long	
330	049298	Getto risciacquo, corto	Rinse jet, short	
331	049299	Tappo, per getti risciacquo corti	Plug, for short rinse jets	
334	067292	Guarnizione	Gasket	
336	048883	Tubo	Pipe	
337	046946	Fascetta 8-12	Hose clamp 8-12	
339	049881	Pressostato	Pressure switch	
340	048308	Trappola d'aria per pressost.	Air trap	
341	049904	Tubo	Hose	
342	068642	OR 2062x15.54	O Ring	
343	049268	Dado M14x1.5	Nut; M14x1,5	
344	0L0094	Dosatore idraulico	Rinse aid dispenser	
345	0L2394	Tubo ingresso acqua	Water inlet pipe	<u>Rinse booster pump kit</u>
346	0L2389	Tubo uscita pompa	Pump outlet pipe	<u>Rinse booster pump kit</u>
347	0L2391	Pompa + condensatore	Pump + capacitor	<u>Rinse booster pump kit</u>
348	049126	Condensatore	Capacitor	8 µF - <u>Rinse booster pump kit</u>
349	0L2392	Cavetto di terra	Ground cable	<u>Rinse booster pump kit</u>
350	0L2393	Portagomma G 3/8" M	Fitting G 3/8" M	<u>Rinse booster pump kit</u>
	0L2390	(Pompa + condensatore) + cavetto di terra+portagomma	(Pump + capacitor) + ground cable + fitting	(pos. 347 + pos. 349 + pos. 350) <u>Rinse booster pump kit</u>

LAVASTOVIGLIE SOTTOTAVOLO NUC/ EUC/ KUC/ NUCA/ ZUCA/ FUCA/ EUCA UNDERCOUNTER DISHWASHER NUC/ EUC/ KUC/ NUCA/ ZUCA/ FUCA/ EUCA				Grassetto = variazioni Bold Print = changes
Pos.	Cod.ric. Part No.	Descrizione	Description	Note / Notes
357	047986	O-Ring 2050 - 1,78x12,42	O-Ring	
360	0L0696	Pompa detergente	Pump; detergent	e,o,w,x,a6
361	049801	Iniettore detergente	Iniection spigot	e,o,w,x,a6
362	0L0262	Riduzione M.3/4" - F.1/2"	Adapter M.3/4" - F.1/2"	w,x - From Ser. Nr.: 014
363	0L0264	Valvola di non ritorno	No back-flow valve	w,x - From Ser. Nr.: 014
364	0L0263	Manicotto F.3/4"- F.1/2"	Coupling F.3/4"- F.1/2"	w,x - From Ser. Nr.: 014
		Pagina 4: Circuito idraulico atmosferico	Page 4: Atmospheric plumbing circuit	ill. 595665K00_p4B Only for "s,t,v,z,a1,a2,a3,a4,a5"
301a	048834	Assieme filtro	Filter assembly	
302a	0L1945	Guarnizione	Gasket	
303a	049773	Tubo Ø 26x37	Pipe Ø 26x37	660 mm
304a	0L1887	Tubo alimentazione	Feed hose	
305a	0L0098	Trappola d'aria	Air trap	
307a	048531	Tubo	Hose	
309a	049297	Getto risciacquo, lungo	Rinse jet, long	
310a	0L1891	Boiler	Boiler	Up to Ser. Nr.: 820
310a	0L0351	Boiler	Boiler	From Ser. Nr.: 821
311a	0L2597	Pompa risciacquo	Rinse pump	Not for "a2,a4"- 50 Hz
311a	0L2598	Pompa risciacquo	Rinse pump	a2,a4 - 60 HZ
312a	049299	Tappo per getti risciacquo	Pipe for rinse jet	
313a	049287	Tubo Ø 25,5X32	Pipe Ø 25,5X32	
314a	0L2064	Manicotto aspirazione	Suction hose	
316a	0L0365	Raccordo 3 vie	3 way connection	
317a	0L0083	Fascetta 9,3/9,9	Hose clamp 9,3/9,9	
318a	046878	Fascetta 38-50	Hose clamp 38-50	
319a	0L0125	Tubo collegamento getti	Connection pipe for wash jets	
320a	0L0367	Fascetta Cobra	Hose clamp	
321a	0L2560	Protezione ghiera	Guard ring nut	
322a	047473	OR 2056- 1,78x14,00	O Ring	
323a	048824	Ghiera	Ring nut	
324a	048126	Fascetta 12-22	Hose clamp 12-22	
325a	0L0082	Fascetta Ø 7,3/7,8	Hose clamp Ø 7,3x7,8	
326a	0L0110	Guarnizione	Gasket	
328a	049459	Air Gap	Air Gap	s,t,v,a1,a2,a3,a4,a5
328a	0L2435	Air Gap UK	Air Gap UK	z
329a	049828	Guarnizione	Gasket	
330a	049460	OR 3212-2,62x53,65	O Ring	
331a	049480	Ghiera per Air Gap	Air Gap nut	
333a	0L0697	Pompa peristaltica brillantante	Pump; rinse aid	
338a	048330	Ghiera, fiss. supporto getti	Ring nut, jets support locking	
339a	048236	Guarnizione	Gasket	
340a	048979	Anello seger	C-Clamp	

LAVASTOVIGLIE SOTTOTAVOLO NUC/ EUC/ KUC/ NUCA/ ZUCA/ FUCA/ EUCA				Grassetto = variazioni
UNDERCOUNTER DISHWASHER NUC/ EUC/ KUC/ NUCA/ ZUCA/ FUCA/ EUCA				Bold Print = changes
Pos.	Cod.ric. Part No.	Descrizione	Description	Note / Notes
341a	048820	Parzializzatore	Flow reducer	
342a	049290	Supporto getti, inferiore	Jets support, lower	
343a	0L2065	Elettrovalvola 10 l/min	Electrovalve 10 l/min	s,t,v,a1,a2,a3,a4,a5
343a	049452	Elettrovalvola 5.5 l/min	Electrovalve 5.5 l/min	z
346a	049296	Tappo, per getti lavaggio	Plug, for wash jets	
347a	049295	Assieme getto di lavaggio	Wash jet assembly	
349a	049298	Getto risciacquo, corto	Rinse jet, short	
350a	048308	Trappola d'aria per pressost.	Air trap	
351a	068642	OR 2062x15.54	O Ring	
352a	049268	Dado M14x1.5	Nut; M14x1,5	
353a	049293	Assieme mozzo, per getti	Hub assembly, for jets	
354a	047282	Rondella di fermo	Lock washer	
355a	049294	Protezione rondella	Washer bracket	
356a	049292	Perno, per supporto getti	Pin, for jets support	
357a	047986	O-Ring 2050 - 1,78x12,42	O-Ring	
359a	049360	Tubo mandata; rigido	Delivery hose; rigid	
360a	0L0696	Pompa detergente	Pump; detergent	v,z,a1,a2,a3,a4
361a	049801	Iniettore detergente	Iniection spigot	v,z,a1,a2,a3,a4
363a	072393	Tubo Ø 4x7,4	Hose Ø 4x7,4	
364a	049904	Tubo	Hose	
365a	049881	Pressostato	Pressure switch	
370a	048531	Tubo EPDM 12x19.5	Hose 12x19.5	s,t,v,a1,a2,a3,a4,a5
370a	049379	Tubo 12x19.5 WRC	Hose 12x19.5 WRC	z
372a	049419	Tubo; interno, pompa detergente	Hose; internal detergent pump	
373a	049418	Tubo; interno, pompa brill.	Hose; internal rinse aid pump	
374a	047578	Fascetta Ø 25/40	Hose clamp Ø 25/40	
		Pagina 5: Componenti elettrici	Page 5: Electrical components	ill. 595665K00_p5
401	0L1565	Interfaccia utente	User Interface	
402	0L1943	Guarnizione display	Display gasket	
403	0L1871	Sensore reed	Sensor	
404	0L1667	Cruscotto	Control panel	Not for "s,t,a1,a2,a3,a4,a5"
404	0L2069	Cruscotto	Control panel	s,t,a1,a2,a3,a4,a5
405	0L1663	Membrana adesiva neutra	Neutral stick membrane	f,g,h,o,k,q,r,x,z,a6
405	0L1661	Membrana adesiva - Electrolux	Membrane - Electrolux	a,b,c,d,e,w,a7
405	0L1653	Membrana adesiva - Zanussi	Membrane - Zanussi	s,t,a1,a2
405	0L1650	Membrana adesiva - Electrolux	Membrane - Electrolux	a3,a4,a5
405	0L2388	Membrana adesiva - Fust	Membrane - Fust	v
405	0L2142	Membrana adesiva - Kipro	Membrane - Kipro	m,n
406	0L1567	Copertura interfaccia utente	User interface cover	
407	0L1664	Adesivo Zanussi	Sticker Zanussi	

LAVASTOVIGLIE SOTTOTAVOLO NUC/ EUC/ KUC/ NUCA/ ZUCA/ FUCA/ EUCA				Grassetto = variazioni
UNDERCOUNTER DISHWASHER NUC/ EUC/ KUC/ NUCA/ ZUCA/ FUCA/ EUCA				Bold Print = changes
Pos.	Cod.ric. Part No.	Descrizione	Description	Note / Notes
407	0L1665	Adesivo Alpeninox	Sticker Alpeninox	
407	54864AK00	Adesivo Electrolux	Sticker Electrolux	
408	0L2055	Cavo H07RNF 3x2,5MMQ	Pipe H07RNF 3x2,5MMQ	a,c,f,g,i,q,w,x,a6
408	0L0024	Cavo H07RNF 3x2,5MMQ	Pipe H07RNF 3x2,5MMQ	s,a5
408	0L2432	Cavo H07RNF 3x6MMQ	Pipe H07RNF 3x6MMQ	z
408	0L0026	Cavo H07RNF 4x2,5MMQ	Pipe H07RNF 4x2,5MMQ	a2,a4
408	0L0025	Cavo H07RNF 5x2,5MMQ	Pipe H07RNF 5x2,5MMQ	b,d,e,h,m,n,o,k,t,v,a1,a3,a7
409	0L2583	Scheda madre	Main board	b,d,e,h,m,n,o,k,s,t,v,z,a1,a2,a3,a4,a5,a7
409	0L2582	Scheda madre	Main board	a,c,f,g,i,q,r,w,x,a6
410	049303	Filtro RFI trifase	RFI filter; three phase	b,d,e,h,m,n,o,k,t,v,z,a1,a2,a3,a4,a7
410	049977	Filtro RFI monofase	RFI filter; single phase	a,c,f,g,i,q,s,w,x,a5,a6
411	0L0127	Morsettiera Princ. Monofase	Junction box	a,c,f,g,i,q,r,w,x,s,a5,a6
411	0L0111	Morsettiera Princ. Trifase	Junction box	b,d,e,h,m,n,o,k,t,v,z,a1,a2,a3,a4,a7
412	048429	Fissaggio Res. Vasca	Bracket	
413	049954	Res. Vasca 2000W-230V	Heating element; 230v, 2,0kw	Up to Ser. Nr.: 946
413	0L2109	Res. Vasca 2000W-230V	Heating element; 230v, 2,0kw	Not for "a1,a2,a3,a4" From Ser. Nr.: 947
413	0L2439	Res. Vasca 2000W-230V	Heating element; 230v, 2,0kw	a1,a2,a3,a4 - From Ser. Nr.: 048
414	0L0366	Supp Sensore	Support; sensor	
415	046376	OR 2037	O Ring	
416	049643	Sensore NTC	Sensor	
418	067620	OR 6187 D=5.34MM	O Ring	
419	049955	Res. Flangiata 4500W 230V	Heating element 4,5KW 230V	b,d,e,h,m,n,o,k,a7 - Up to Ser. Nr.: 017
419	0L2129	Res. Flangiata 4500W 230V	Heating element 4,5KW 230V	b,d,e,h,m,n,o,k,a7 - From Ser. Nr.: 018
419	049955	Res. Flangiata 4500W 230V	Heating element 4,5KW 230V	t,v,w,x,z - Up to Ser. Nr.: 002
419	0L2129	Res. Flangiata 4500W 230V	Heating element 4,5KW 230V	t,v,w,x,z - From Ser. Nr.: 003
419	0L2440	Res. Flangiata 4500W 230V	Heating element 4,5KW 230V	a1,a2,a3,a4 - From Ser. Nr.: 048
419	049980	Res. Flangiata 2800W 230V	Heating element 2,8KW 230V	a,c,f,g,i,q,r,s,a5
420	046376	OR 2037	O Ring	
421	0L0280	Premistoppa	Stuffing box	
422	049643	Sonda di Temperatura	Temp. sound	
423	065560	Cappuccio	Protection cap	
425	049901	Filtro induttivo-cap.; monofase	Filter; single phase	b,d,e,h,m,n,o,k,t,v,z,a1,a2,a3,a4,a7
490	0L2485	Cablaggio	Wiring harness	a,c,f,g,i,q,r,w,x,s,a5,a6
490	0L2486	Cablaggio	Wiring harness	b,d,e,h,m,n,o,k,t,v,z,a7
490	0L2438	Cablaggio	Wiring harness	a1,a2,a3,a4